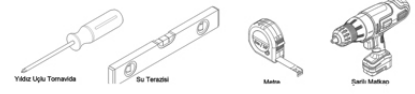
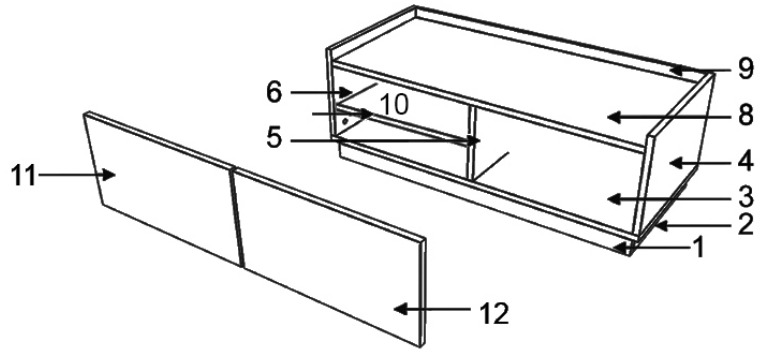
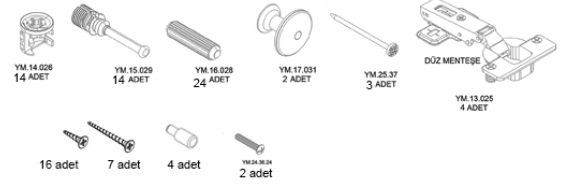


# HENRY BANK SHOES

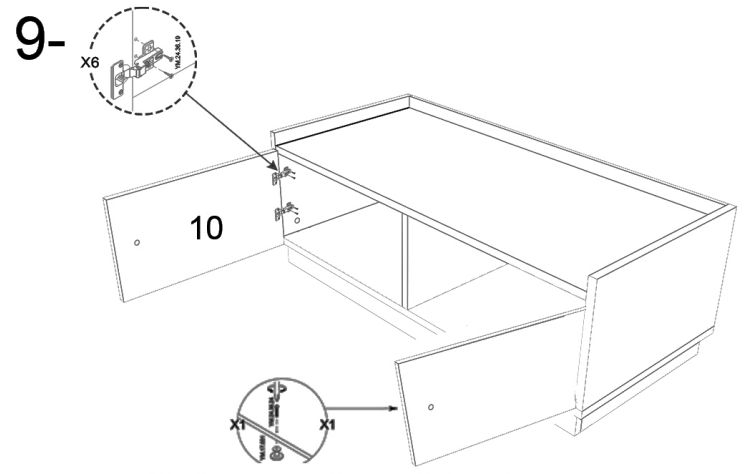
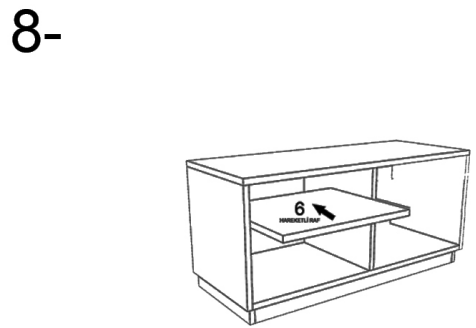
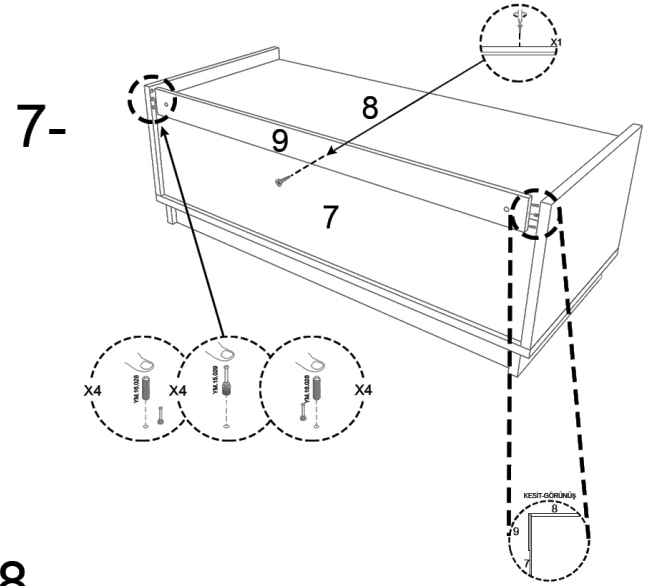
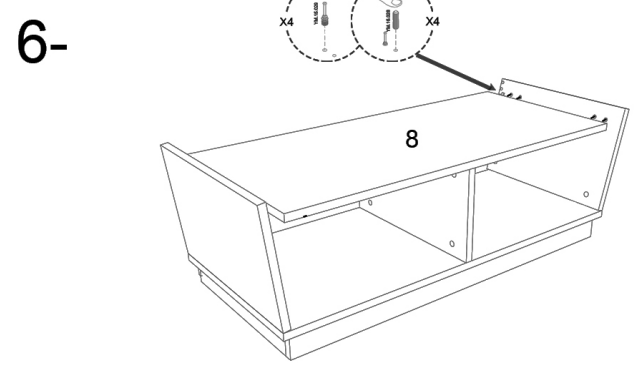
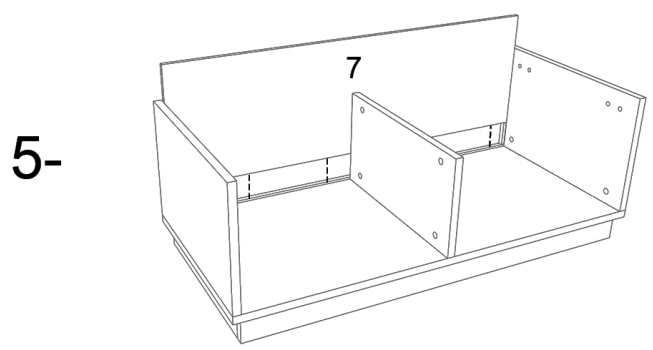
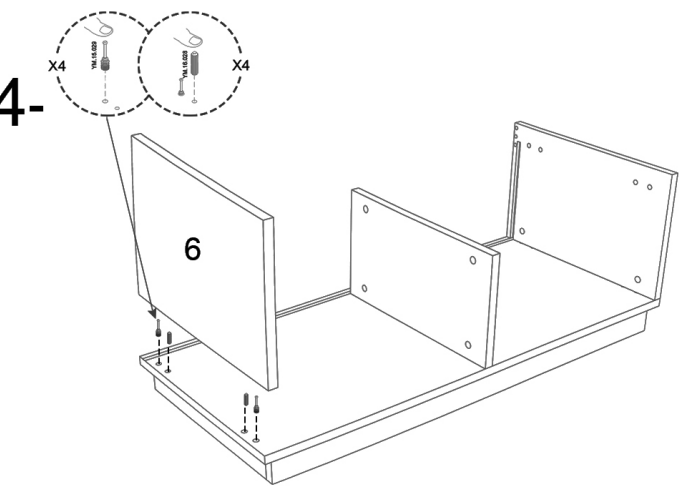
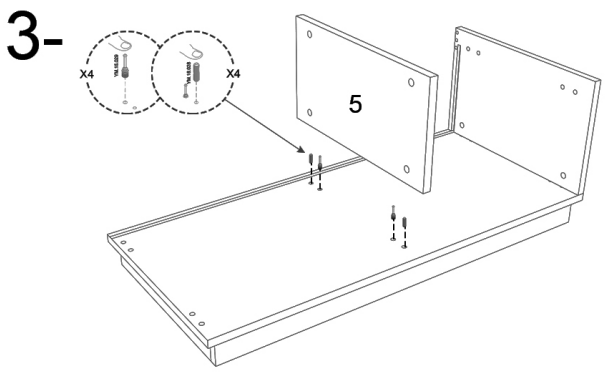
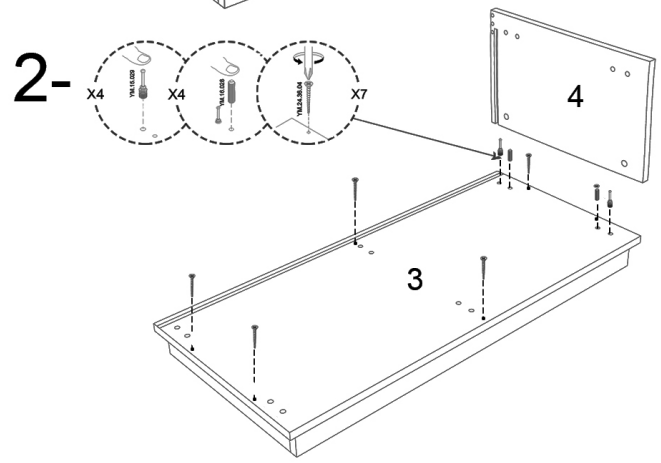
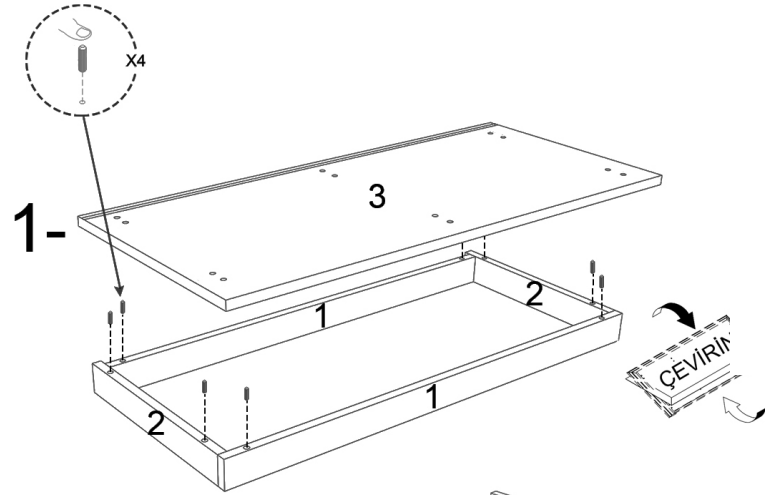
## MATERIAL REQUIRED FOR INSTALLATION



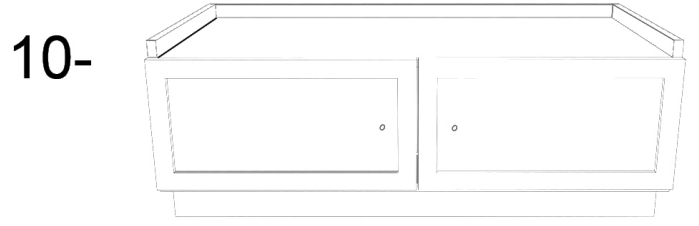
## ACCESSORIES LIST



PART NUMBER	PART NAME	PIECE QTY
1	front back base	2
2	right left base	2
3	lower table	1
4	right side plate	1
5	middle table	1
6	left table	1
7	backrest	1
8	top plate	1
9	support arm	1
10	Mobile shelf	1
11	right cover	1
12	left cover	1



The handles must be installed as shown.



YOU HAVE COMPLETED THE PRODUCT INSTALLATION.